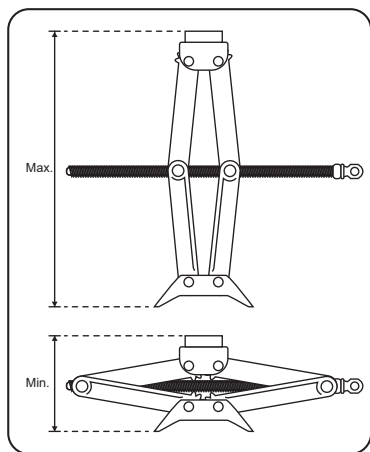


Scissor Jack

9TYS414-15A-B

- Simple spin action quickly lifts vehicles
- Folds compactly to fit most trunks or tool compartments
- Heavy duty steel construction for durability
- Includes speed-bar with spin handle




9TYS416-20A-B



9TYS414-15A-B



9TYS416-20A-B

KT NO.	Capacity (T)	Min height (mm)	Max height (mm)	N.W (KG)	G.W (KG)	CUFT	
9TYS414-15A-B	1.5	104	390	20	21	1.46	1/8
9TYS416-20A-B	2	120	413	19	20	1.64	1/6

Bottle Jack

9TY111

- Precise welded and leakproof construction
- Safety valve prevents the cylinder damage which caused by overstretch of the ram
- Arc surface bottom of the steel base to make the load in the center of the piston
- Prevent rust with ENP (electroless nickel plating) ram piston, make it smooth, bright, and long life
- Double seals in the pump to prevent the oil leak
- Longer life than normal screw connection jack due to smooth bearing surfaces and close tolerances



• Adjustable height



KT NO.	Capacity (T)	Adjustable height (mm)	Min height (mm)	Max height (mm)	N.W (kg)	G.W (kg)	CUFT	
9TY111-035A-B	3.5	88	172	372	22.74	23.70	0.86	1/6
9TY111-05A-B	5	110	218	474	29.34	30.30	1.12	1/6
9TY111-08A-B	8	115	220	488	36.85	37.80	1.26	1/5
9TY111-10A-B	10	115	220	488	36.85	37.80	1.33	1/5
9TY111-12A-B	12	110	236	506	42.60	43.85	1.33	1/5
9TY111-15A-B	15	113	228	508	49.35	50.60	3.05	1/5
9TY111-20A-B	20	110	241	525	52.28	53.28	1.49	1/4
9TY111-25A-B	25	110	240	510	45.21	46.17	1.40	1/3
9TY111-30A-B	30	110	244	510	47.31	48.33	1.27	1/3