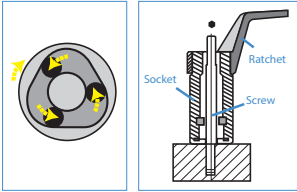


# Roller Stud Extractor Socket & Set

9TD401

1/2"

- For tightening or loosening studs



KT NO.	mm	D1 mm	D2 mm	L mm	kg	1 / 8
9TD401-06M	6	24.5	21	60	131	10 / 180
9TD401-08M	8	24.5	21	60	128	10 / 180
9TD401-10M	10	27.5	21	69.5	180	12 / 120
9TD401-12M	12	27.5	21	69.5	179	12 / 120

9TD014MR

1/2"

- 4 stud drivers for sizes M6, M8, M10 and M12

0.83 kg 1 / 30

Blow case size (mm):  
210 x 111 x 49 (0.04CUFT)



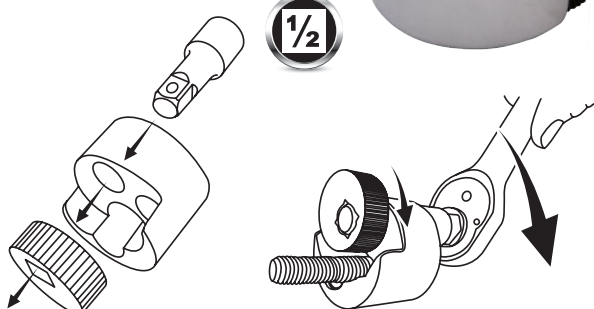
4 PC.

# Stud Remover Tool

9TD404-0619M

- Stud range: 6-19mm (1/4" - 3/4")
- Allows for easy removal of studs. Turn extractor with a ratchet, wrench or socket to engage the cam and stud, then pull out stud

0.64 kg 1 / 24



# Long Twist sockets set

- For removing damaged wheel nuts and locking nuts. Especially useful on deep seated wheel nuts on modern alloys
- Twisting socket design is easily to remove stripped lug nut
- Straight kick out bar 12x160mmL
- Length:146mm

9TD164MR

4 PC.



Contents

1.36 kg 1 / 8

9TD406	17, 19, 21
7641206P	

9TD165MR

5 PC.



•Grip and remove damage bolt



•Kick out grip bolt by punch ground or hammer

Contents

1.70 kg 1 / 8

9TD406	17, 19, 21, 22
7641206P	

