

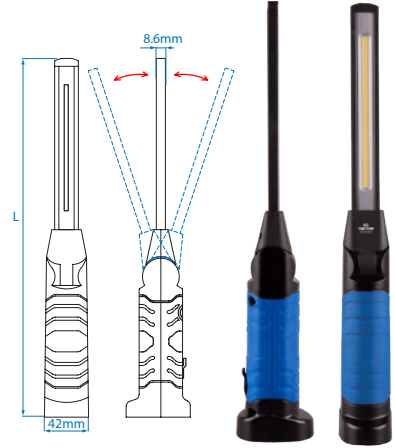
6W COB +1W SMD Slim Inspection Lamp

9TA261

- 6W COB + 1W SMD (Top)
- White light color, kelvin : 6500K
- IP54 waterproof and dustproof, IK07 vandalproof
- Materials : ABS plastic + rubber housing + PC lens + aluminium slim housing
- 120° Angle rotation & magnetic base
- Rechargeable battery : 3.7V - 2600mAh Li-ion
- Switch modes : Top light – Worklight low-Worklight high-Off
- Accessory : Type-C USB Charging cable and 5V 1A USB charger
- Charging time : 4 hours



Switch mode	Lumen	Operating hours
Top light	120 lm	8h
Main light low	250 lm	6h
Main light high	600 lm	3h



KT NO.	Applicable area	L mm	g	Box
9TA261A	Europe	340	300	1 / 12
9TA261B	America & Asia	340	300	1 / 12
9TA261D	Australia & New Zealand	340	300	1 / 12

Contents

COB LED lamp		x 1 PC.
USB charger		x 1 PC.
Type-C USB cable		x 1 PC.

Aluminum Folding Slim Lamp

9TA268

- White light color, kelvin : 6500K
- Material : PA + Rubber + Aluminum housing
- 180°swivel head in vertical + Strong magnetic base
- Rechargeable battery : 3.7V - 2600mAh Li-ion battery
- Accessory : Type-C USB Charging cable and 5V 1A USB charger
- Three leds battery indicator / Charging time : 4 hours



Switch mode	Lumen	Operating hours
Top light	120 lm	8h
Main light low	150 lm	8h
Main light high	800 lm	2.5h
Minor light low	120 lm	9h
Minor light high	400 lm	4h



- Super strong magnets on the bottom
- Top light
- Three leds battery indicator
- 180°swivel head in vertical

KT NO.	Applicable area	L mm	g	Box
9TA268A	Europe	200	193	1 / 40
9TA268B	America & Asia	200	193	1 / 40
9TA268D	Australia & New Zealand	200	193	1 / 40

Contents

Pro Aluminium Rechargeable Slimlight		x 1 PC.
Type-C USB cable		x 1 PC.
Charger		x 1 PC.