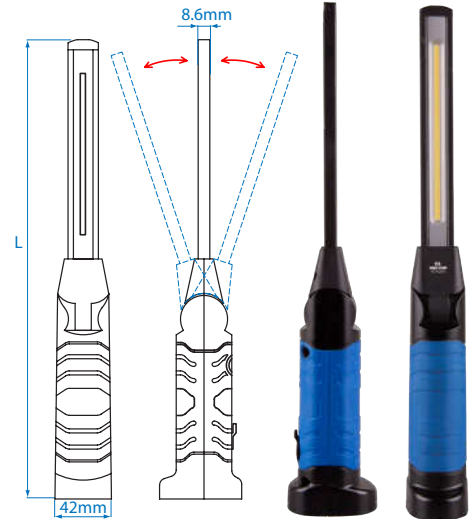


6W COB +1W SMD Slim Inspection Lamp

9TA261

- Brightness - Worklight : 600/250 Lumen (lm), Top light : 120 lumen (lm), white light color, kelvin : 6500K
- IP54 waterproof and dustproof, IK07 vandalproof
- Materials : ABS plastic + rubber housing + PC lens + aluminium slim housing
- 120° Angle rotation & magnetic base
- Rechargeable battery : 3.7V - 2600mAh Li-ion
- Switch modes : Top light – Worklight low-Worklight high-Off
- Accessory : Micro USB cable and charger
- 3 hours continuous for high worklight and 6 hours for low worklight
- Charging time : 4 hours



KT NO.	Applicable area	L mm	g	Box
9TA261A	Europe	340	300	1 / 12
9TA261B	America & Asia	340	300	1 / 12
9TA261D	Australia & New Zealand	340	300	1 / 12

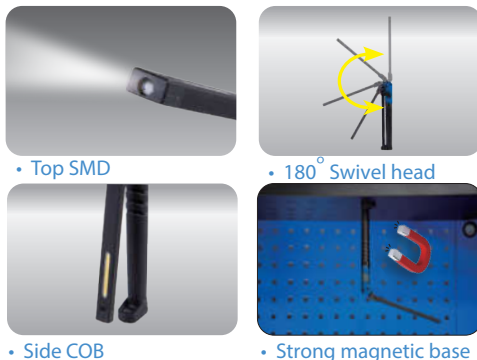
Contents

COB LED lamp		x 1 PC.
USB charger		x 1 PC.
Micro USB cable		x 1 PC.

Foldable Pocket Slim Lamp

9TA263

- 2W COB + 1.5W COB + 1W SMD (Top)
- White light color, kelvin : 6000K~7000K
- IP54 waterproof and dustproof, IK07 vandalproof
- Switch Mode :
 - Top light - 80 Lumen(lm) / 3 hours
 - Main light low/ high - 100 / 200 Lumen(lm) - 4 / 2 hours
 - Side light -180 Lumen(lm) / 2.2 hours
- Material : PA + Aluminium
- Strong magnetic base + 180° swivel head
- Rechargeable battery : 3.7V - 700mAh Li-ion battery
- Accessory : 1m Micro USB charging cable
- One led indicator - Red : Charging, Green : Full Charged
- Charging time : 2.5 hours



Contents

Foldable pocket slim lamp		x 1 PC.
Micro USB cable		x 1 PC.

KT NO.	L mm	g	Box
9TA263	164	80.8	1 / 48