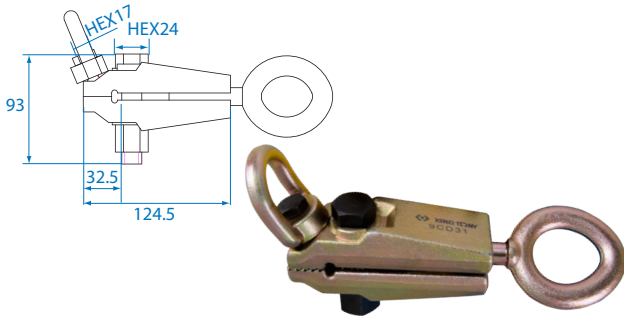


Small Pull Clamp With Top Pull

9CD31

- Drop forged chrome molybdenum alloy steel for maximum strength
- Jaw width : 44mm
- 44mm wide mouth with teeth
- With top pull and 360 degree self tightening pull ring
- Dual self-tightening serrated jaws for a positive grip
- Ideal for work in tight areas
- Capacity : 5 ton (straight way), 2 ton (cross way)

🔧 2.38 📦 1 / 6



Double Suction Pad Holder

9CW21

- Lifting up to 65 kg in horizontal position
- Adjustable handle designed for curved surface
- Ø120mm rubber vacuum cup can prevent from the damage of surface and grip tightly
- Use for holding glass, tiles, sheet metal, etc.



KT NO.	Ø mm	Load capacity kg	🔧	📦
9CW21	120	65	805	4 / 8

Windscreen Remove Tool Set

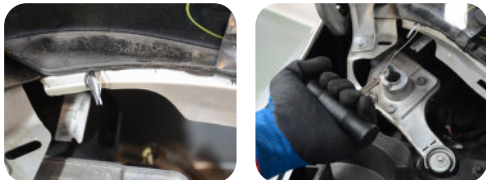
9CW01

- Use for removing glued of vehicle windows
- Use A with C to pierce the wire through the adhesive beads
- Use the cutting wire with B to remove adhesive beads



CONTENTS :

- A - Wire feeder tool
- B - Wire pull handle - pair
- C - Triangle cutting wire - 22 meters



KT NO.	Wire L m	T Handle L mm	🔧	📦
9CW01	22	330	456	8 / 32

Single Suction Pad Holder

9CW22

- Lifting up to 40 kg in horizontal position
- Ø120mm rubber vacuum cup can prevent from the damage of surface and grip tightly
- Use for holding glass, tiles, sheet metal...



KT NO.	Ø mm	Load capacity kg	🔧	📦
9CW22	120	40	351	6 / 48

