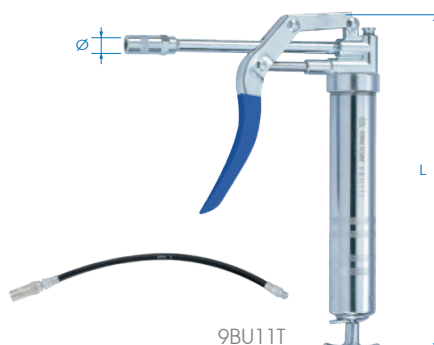


Lubrication-Grease Gun

9BU11

- Ideal for machine, automobile, farm and garden equipments, other vehicles etc.



9BU11T



KT NO.	L		Ø Screw thread	High pressure		Capacity			
	inch	mm		PSI	bar	c.c.	oz		
9BU111	10-5/8	267	1/8 x 28 PT	4000	275	120	3	0.61	1 / 30
9BU112	10-5/8	267	M10 x 1.0P	4000	275	120	3	0.61	1 / 30
9BU111T	10-5/8	267	1/8 x 28 PT	4000	275	120	3	0.68	1 / 30
9BU112T	10-5/8	267	M10 x 1.0P	4000	275	120	3	0.68	1 / 30

9BU111/ 9BU111T For general market except North America, Germany, South Africa, Egypt
 9BU112/ 9BU112T For Germany, South Africa, Egypt, etc.

Lubrication-Grease Gun with 12" Tube

9BU143T

- Ideal for machine, automobile, farm and garden equipments, other vehicles etc.



KT NO.	L		Ø Screw thread	High pressure		Capacity			
	inch	mm		PSI	bar	c.c.	oz		
9BU1432T	14-1/2	368	M10 x 1.0P	7000	483	400	14	1.36	1 / 12

9BU1531T For general market except North America, Germany, South Africa, Egypt
 9BU1432T / 9BU1532T For Germany, South Africa, Egypt, etc.

