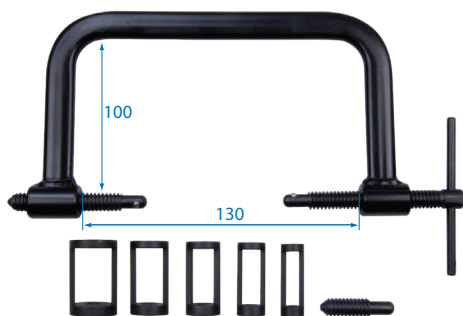


Valve Spring Compressor Set

9AH31

- Use for compress of motorcycle or small engines valve spring
- Adapter size: 16, 19, 23, 25, 30mm
- Capacity: 130mm
- Throat depth: 100mm

 1.31  /  1 / 12



9AH12

- Complete service tool set for OHV & OHC petrol or diesel engines on Audi, Nissan, Toyota, Chrysler, Honda, Mazda, Mitsubishi, Saturn, Lexus, Hyundai, Infiniti, Porsche, Volvo, VW

 3.75  /  1 / 5



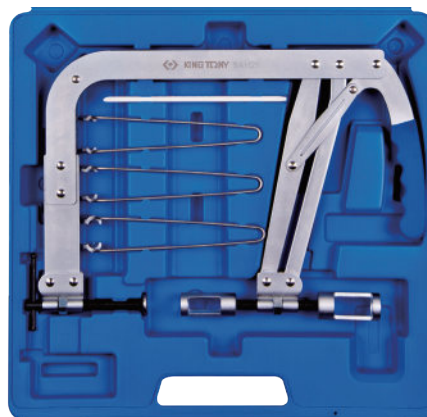
10
PC.



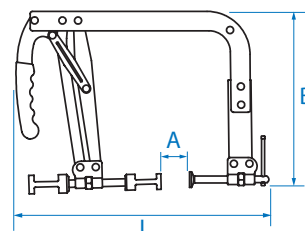
Valve Spring Compressor Set



9AH025

- Suitable for large engines & diesel engines
- Capacity: 35~140mm
- Unique direct action compressor lever gives improved visibility & ease of using in areas of difficult access
- Dual size in 25 and 30mm adapter



5
PC.



KT NO.	A mm	B mm	L mm		
9AH025	35~140	280	390	5	1 / 5



Valve Lappers

9AH0311

- For hand lapping valves

 100  /  12 / 108

2
PC.



KT NO. Diameter Cups Size

9AH0311	1-1/8" (29mm) 5/8" (16mm)	1-3/8" (35mm) 13/16" (21mm)
---------	------------------------------	--------------------------------

