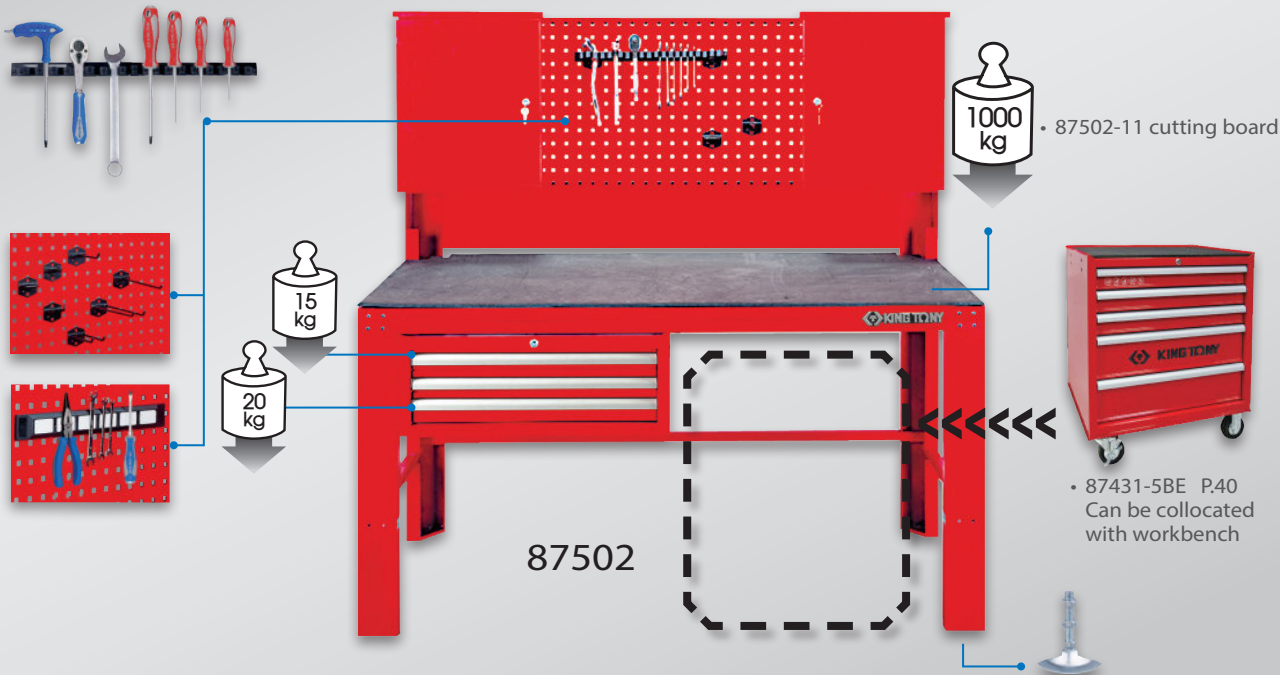


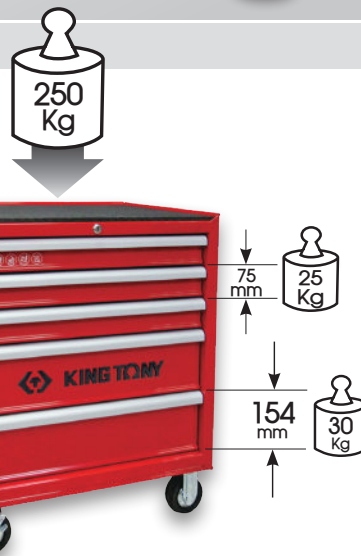
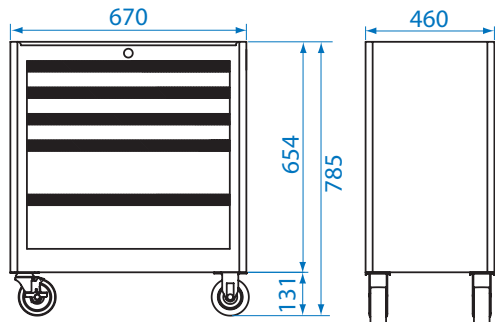


# Workbench



## 87431-5BE

- Four swivel casters(one is with brake mechanism)



KT NO.	Spec.	Dimension(mm) Width x Depth x Height	Casters	Static load		CUFT
87431-5BE	3 Drawer	576 x 380 x 75	4" x 1-1/4"	250 Kg	50	10.03
	2 Drawer	576 x 380 x 154				

## 87502P02

- Drawer chest for workbench



KT NO.	Spec.	Dimension(mm) Width x Depth x Height		CUFT
87502P02	Overall	660 x 307 x 251	13.00	2.7
	2 Drawer	569 x 275 x 50		
	1 Drawer	569 x 275 x 75		

## 87502P03

- 2 PC. wall cabinets



KT NO.	Spec.	Dimension(mm) Width x Depth x Height		CUFT
87502P03	Overall	400 x 200 x 500	14.00	4.5