

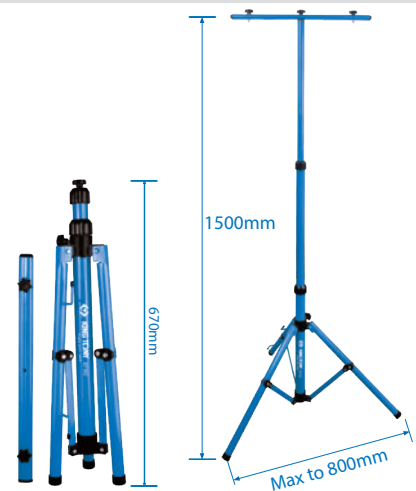
ACCESSORIES



Adjustable Tripod for Site Light

87162

- Can hold one light or 2 lights (with T-Bar)
- Durable heavy duty steel tripod body
- Three section tube diameter : 25mm / 32mm / 38mm
- Adjustable tripod height from 700mm to 1500mm
- Portable, easy to fold and great for transportation
- It is recommended to use with 9TA42 / 9TA45 / 9TA46 / 9TA48 (This product dose not contain lamps, please buy separately)

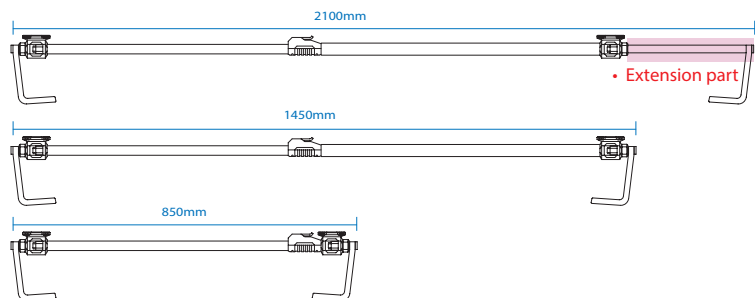
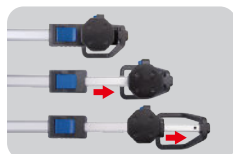


| KT NO. | Tube Diameter (mm) | Loading Weight (kg) | Folded Length (mm) | Max height (mm) | | |
|--------|--------------------|---------------------|--------------------|-----------------|-----|-------|
| 87162 | 38 | 3.0 | 700 | 1500 | 650 | 1 / 6 |

Detachable Underhood Light Shelf

87163

- Two movable base fit all kinds of magnetic lights
- 360° horizontal rotating base for different lighting angle
- Three section length adjustment fit variety of occasions
- Durable heavy duty aluminum body + PA
- Anti-sliding clasp handle
- It is recommended to use with 9TA44W (This product dose not contain lamps, please buy separately)



• Three section length adjustment fit variety of occasions

• 360° horizontal rotating base for different lighting angle

| KT NO. | Width (mm) | Height (mm) | Folding length (mm) | Extendable length (mm) | | |
|--------|------------|-------------|---------------------|------------------------|------|-------|
| 87163 | 110 | 180 | 850 | 2100 | 1300 | 1 / 6 |

