

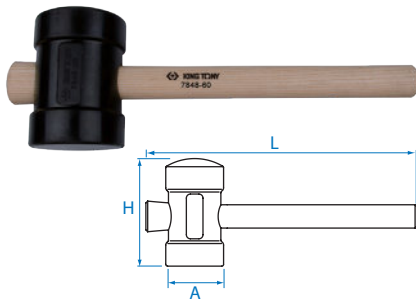
Hammer



CAUTION Please wear proper safety gear while working.

7848

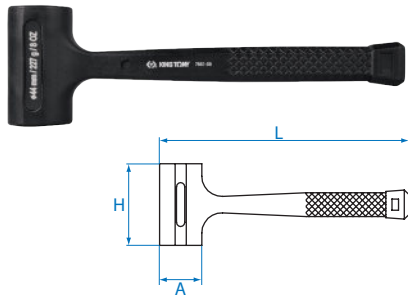
- Rubber hammer
- Feature : used to lay basalt floors, tires and other materials which are vulnerable



KT NO.	H.W g	A mm	H mm	L mm	g	Box
7848-60	523	64	119	330	628	6 / 12
7848-80	821	79	119	350	979	5 / 10

7851

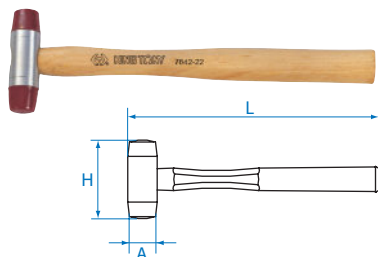
- Dead blow hammer



KT NO.	H.W g	A mm	H mm	L mm	g	Box
7851-08	227	44	81	272	572	6 / 24
7851-16	454	45	100	304	804	6 / 24
7851-24	680	49	100	322	942	6 / 24
7851-32	907	55	100	342	1059	6 / 24
7851-40	1134	58	110	342	1168	6 / 24
7851-48	1361	61	123	355	1321	6 / 12
7851-64	1814	68	136	368	1976	6 / 12

7842

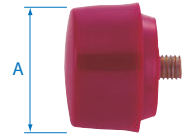
- Soft face hammer
- Replaceable polyurethane face
- Helps minimize marring and surface damage



KT NO.	A mm	H mm	L mm	g	Box
7842-22	22	75	255	110	10 / 40
7842-28	28	85	295	165	10 / 40
7842-35	38	100	325	305	8 / 32
7842-45	45	112	335	420	8 / 32
7842-60	60	135	380	895	6 / 12

915

- Spare faces for item 7842



KT NO.	A mm	g	Box
91522H/S	22	11	10 / 160
91528H/S	28	22	10 / 100
91535H/S	38	38	6 / 120
91545H/S	45	70	6 / 36
91560H/S	60	137	6 / 24

Hammer Hook

91431

- Overall Size - W40 x D210 x H240 mm
- Weight - 411.6 g / Cuft - 0.072

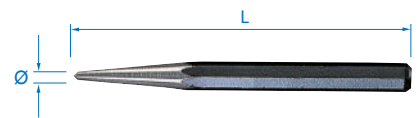


Chisel & Punch

- Material - chrome vanadium alloy steel
- Finishing - phosphate sunk

761

Center punch



KT NO.	Ø mm	L mm	g	Box
76103-04	3	100	33	12 / 336
76104-05	4	120	58	12 / 336
76105-06	5	150	129	12 / 144

763

Starter punch



KT NO.	Ø mm	L mm	g	Box
76301-05	1	120	57	12 / 336
76302-05	2	120	55	12 / 336
76303-05	3	120	57	12 / 336
76304-05	4	120	58	12 / 336
76305-05	5	120	59	12 / 336
76306-05	6	120	61	12 / 336
76307-05	7	120	101	12 / 240
76308-05	8	120	110	12 / 240
76309-06	9	150	141	12 / 144
76310-06	10	150	144	12 / 144

