

# Power Driving

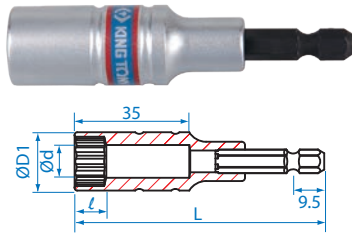
- Chrome vanadium alloy steel
- Anti-rust oiled, sand-blasted

**1/4" & 3/8" & 1/2"**  
Hex size shank driver



## 76B

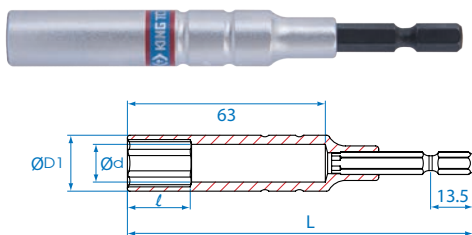
- Deep well nut setter
- Deep hole for bolt & nut
- Press-fitted high-durability shank
- Use for tightening step clamp in construction



| KT NO.  | mm | D1 mm | ℓ mm | d mm | L mm | g   | kg | boxes |
|---------|----|-------|------|------|------|-----|----|-------|
| 76B808M | 8  | 13    | 6    | 6    | 80   | 41  | 15 | 300   |
| 76B809M | 9  | 13    | 6    | 7    | 80   | 40  | 15 | 300   |
| 76B810M | 10 | 15    | 7    | 7    | 80   | 47  | 12 | 240   |
| 76B811M | 11 | 16    | 7    | 9    | 80   | 52  | 12 | 240   |
| 76B812M | 12 | 17    | 8    | 9    | 80   | 57  | 12 | 240   |
| 76B813M | 13 | 18    | 9    | 10   | 80   | 62  | 12 | 240   |
| 76B814M | 14 | 20    | 9    | 12   | 80   | 70  | 12 | 240   |
| 76B815M | 15 | 21    | 10   | 12   | 80   | 77  | 12 | 240   |
| 76B816M | 16 | 22    | 10   | 14   | 80   | 76  | 12 | 240   |
| 76B817M | 17 | 24    | 11   | 14   | 80   | 95  | 12 | 144   |
| 76B819M | 19 | 26    | 13   | 15   | 80   | 112 | 10 | 120   |
| 76B821M | 21 | 28    | 13   | 19   | 80   | 113 | 10 | 120   |
| 76B822M | 22 | 30    | 13   | 19   | 80   | 137 | 10 | 120   |
| 76B824M | 24 | 32    | 13   | 21   | 80   | 146 | 6  | 96    |

## 76C

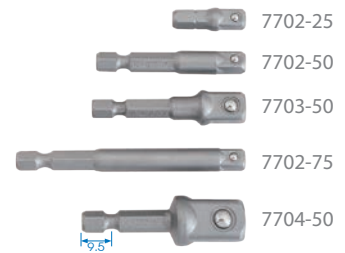
- 110mm length easy to reach at confined spaces
- Extra depth dimension 63mm perfectly go through various bolts
- Press-fit structure with durability socket suitable for 18V power tools
- Ideal for construction assembling, scaffolding and roof work



| KT NO.   | mm | D1 mm | ℓ mm | d mm | L mm | g   | kg | boxes |
|----------|----|-------|------|------|------|-----|----|-------|
| 76C1108M | 8  | 14    | 12   | 7    | 110  | 71  | 12 | 216   |
| 76C1109M | 9  | 14    | 14   | 8    | 110  | 64  | 12 | 216   |
| 76C1110M | 10 | 15    | 15   | 9    | 110  | 67  | 12 | 216   |
| 76C1111M | 11 | 17    | 17   | 10   | 110  | 84  | 10 | 180   |
| 76C1112M | 12 | 17    | 18   | 11   | 110  | 74  | 10 | 180   |
| 76C1113M | 13 | 18    | 20   | 12   | 110  | 79  | 10 | 180   |
| 76C1114M | 14 | 20    | 21   | 13   | 110  | 99  | 10 | 180   |
| 76C1117M | 17 | 24    | 26   | 16   | 110  | 139 | 10 | 180   |
| 76C1119M | 19 | 26    | 29   | 18   | 110  | 158 | 10 | 180   |
| 76C1121M | 21 | 28    | 30   | 20   | 110  | 161 | 8  | 144   |
| 76C1124M | 24 | 32    | 30   | 23   | 110  | 216 | 8  | 96    |

## 770

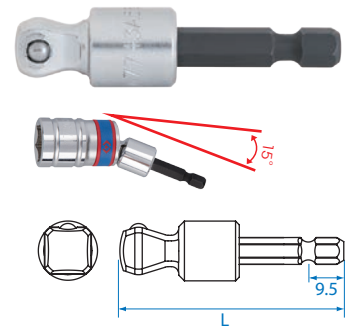
- Socket adapter
- Ball retainer type
- DIN 7428



| KT NO.  | Size | Overall length (mm) | g  | kg | boxes |
|---------|------|---------------------|----|----|-------|
| 7702-25 | 1/4" | 25                  | 6  | 20 | 200   |
| 7702-50 | 1/4" | 50                  | 13 | 10 | 100   |
| 7702-75 | 1/4" | 75                  | 23 | 10 | 100   |
| 7703-50 | 3/8" | 50                  | 23 | 6  | 84    |
| 7704-50 | 1/2" | 50                  | 24 | 6  | 72    |

## 774

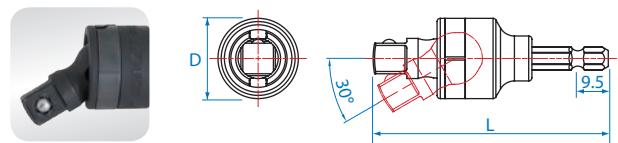
- Bit adapter
- Wobble function provides up to 15° accessibility



| KT NO.  | Size | L mm | g  | kg | boxes |
|---------|------|------|----|----|-------|
| 7743-56 | 3/8" | 56   | 30 | 6  | 72    |
| 7744-60 | 1/2" | 60   | 42 | 6  | 72    |

## 775

- Universal joint socket adapter
- Universal joint function provides up to 30° accessibility



| KT NO.  | Size | D mm | L mm | g   | kg | boxes |
|---------|------|------|------|-----|----|-------|
| 7753-78 | 3/8" | 25   | 77   | 90  | 6  | 120   |
| 7754-85 | 1/2" | 29   | 85   | 127 | 6  | 96    |

