

Torque Angle Gauge

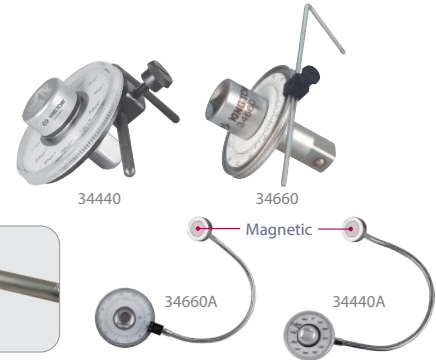
34440

34440A

34660

34660A

- Square Drive :
34440 (1/2" x 1/2")
34660 (3/4" x 3/4")
- 360° angle scale- clearly marked in 2° increments, and in intervals of 10° and 30°
- Indicator etched on clear plastic plate, protects angle scale from dirt and grease
- Adjustable arm keeps angle scale stationary
- Arm has two lengths for additional flexibility in placement against components
- Tough composite dial and rotating index allow operator to accurately tighten to meet standard



KT NO.	Spec.		
34440	1/2"F x 1/2"M	190	12 / 48
34440A	1/2"F x 1/2"M	375	6 / 24
34660	3/4"F x 3/4"M	666	6 / 12
34660A	3/4"F x 3/4"M	908	6 / 12



• Step 1 : Set up the torque value by torque wrench



• Step 2 : Adjust the angle by angle gauge

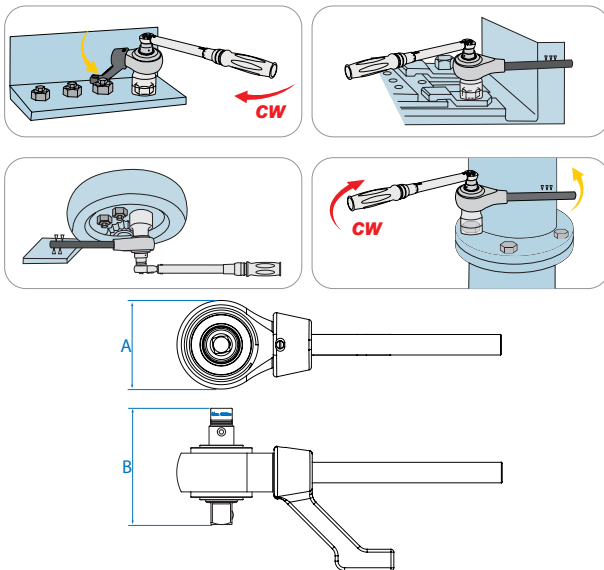
Torque Multiplier

34486

34488

34688

- Torque multiplication with 5:1, accuracy guaranteed better than $\pm 5\%$
- Reaction bar supplied in two styles for maximum versatility
- Ideal construction offers minimal maintenance and extended life
- Portable package brings convenience for use in different working places



Contents

	34486-05A 34488-05A 34688-05A	Multiplier head	1 PC.
	34688-P01	Reaction bar	1 PC.
	34688-P02	Reaction bar	1 PC.
	34486-P03 34488-P03 34688-P03	Torque-Limit Adapter	1 PC.

KT NO.	Ratio	Input square	Output square	Max input torque N-m / ft·lb	Max output torque N-m / ft·lb	A mm	B mm		
34486	5 : 1	1/2"	3/4"	300 / 220	1500 / 1100	108	136.3	7.1	1 / 2
34488	5 : 1	1/2"	1"	400 / 290	2000 / 1450	108	140.3	7.5	1 / 2
34688	5 : 1	3/4"	1"	540 / 400	2700 / 2000	108	161.0	7.7	1 / 2

